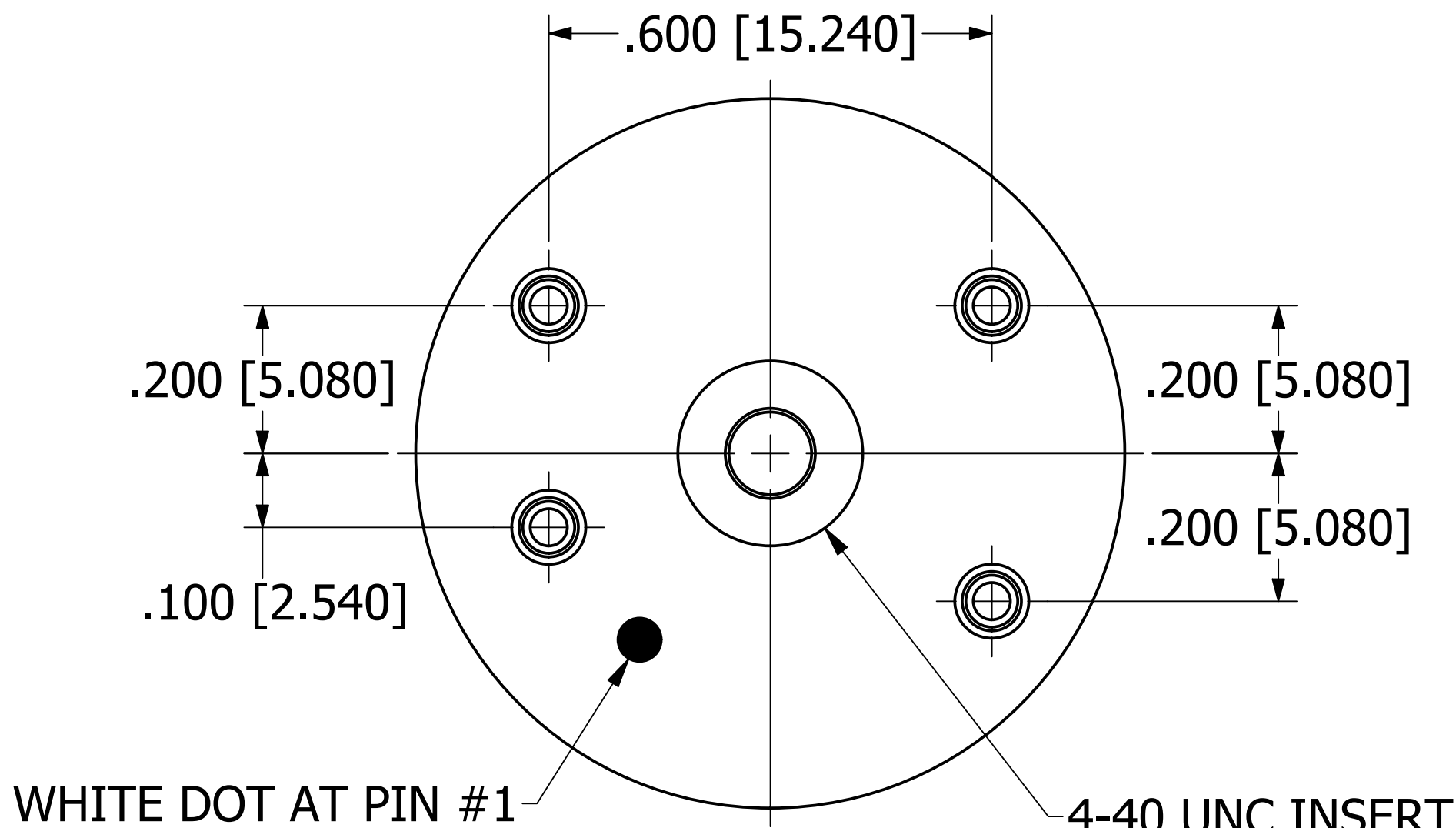
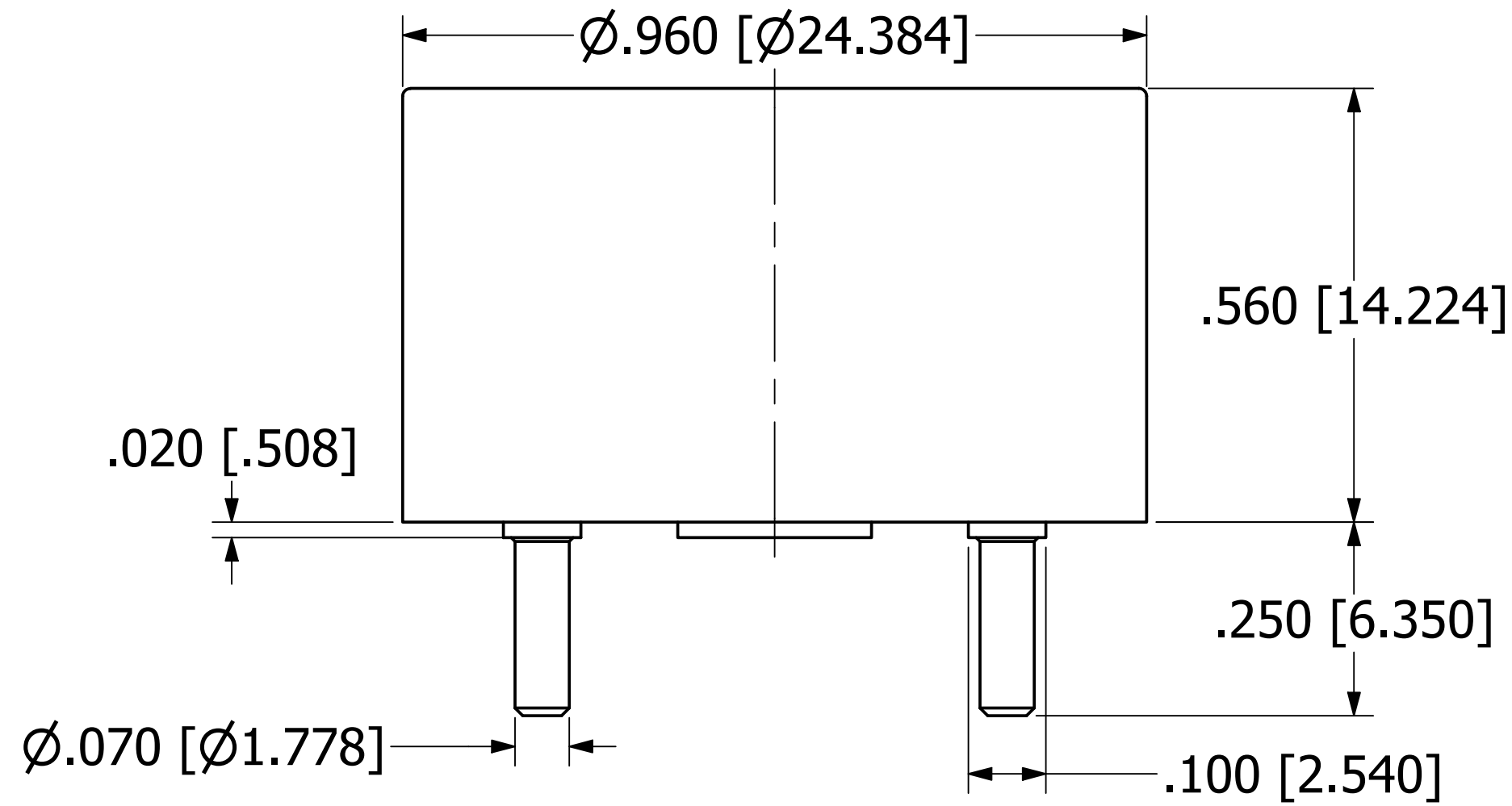


**NOTES**

- a. ALL DIMENSIONS ARE IN INCHES, [ ] = MM
- b. TERMINALS ARE CLOCKWISE FROM PIN #1



WHITE DOT AT PIN #1

4-40 UNC INSERT  
 5 THREADS DEEP  
 $\varnothing.250$ "

**BOTTOM VIEW**

**PROPRIETARY AND CONFIDENTIAL**

THE INFORMATION CONTAINED IN THIS DRAWING IS THE SOLE PROPERTY OF PICO ELECTRONICS INC. ANY REPRODUCTION IN PART OR AS A WHOLE WITHOUT THE WRITTEN PERMISSION OF PICO ELECTRONICS INC. IS PROHIBITED



DRAWN	P.PALUCH	<b>PICO</b>	143 Sparks Ave	
CHECKED	H. VIDAURRE		Village of Pelham, NY 10803	
QA		<b>Electronics</b>		
MFG		<b>69000 SERIES - SIZE A</b>		
APPROVED		SIZE	DWG NO	REV
REVISION DATE	06/06/2023	<b>C</b>		<b>1</b>
		SCALE	NTS	www.picoelectronics.com